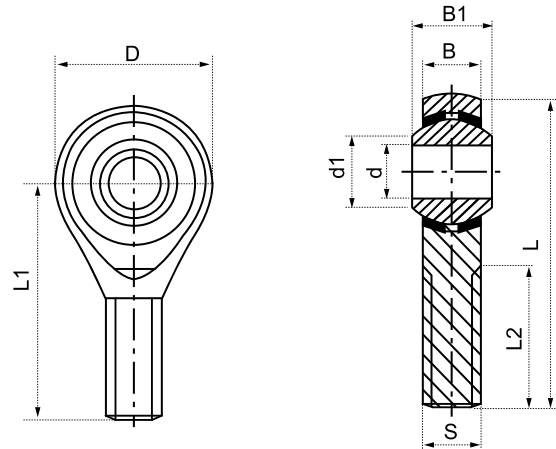




NUMBER	WEIGHT	THREAD					DIMENSIONS					
		d		S	D		B		B1		d1	
PHSB	(g)	inch	mm	CLASS 3B	inch	mm	inch	mm	inch	mm	inch	mm
POSB 3	12.5	.1900	4.826	.1900-32UNF	.625	15.88	.250	6.35	.312	7.92	.306	7.77
POSB 4	22	.2500	6.350	.2500-28UNF	.750	19.05	.281	7.14	.375	9.53	.355	9.02
POSB 5	37	.3125	7.938	.3125-24UNF	.875	22.23	.344	8.74	.437	11.10	.447	11.35
POSB 6	55	.3750	9.525	.3750-24UNF	1.000	25.40	.406	10.31	.500	12.70	.517	13.13
POSB 7	78	.4375	11.112	.4375-20UNF	1.125	28.58	.437	11.10	.562	14.27	.586	14.88
POSB 8	120	.5000	12.700	.5000-20UNF	1.312	33.32	.500	12.70	.625	15.88	.698	17.73
POSB 10	184	.6250	15.875	.6250-18UNF	1.500	38.10	.562	14.27	.750	19.05	.839	21.31
POSB 12	293	.7500	19.050	.7500-16UNF	1.750	44.45	.687	17.45	.875	22.23	.978	24.84
POSB 16	110	1.0000	25.400	1.2500-12UNF	2.750	69.85	1.000	25.40	1.375	34.925	1.269	32.23



L		L1		L2		DYNAMIC LOAD CAPACITY (kgf)	STATIC LOAD CAPACITY (kgf)	HEIM	ALINABAL	AURORA	SPHERCO	ROSE
inch	mm	inch	mm	inch	mm			HM..(A)	VF	MM	TRE	RM..(A)
1.563	39.70	1.250	31.75	.750	19.05	350	510	HM 3	VF 3	MM 3	TRE 3	RM3
1.937	49.20	1.562	39.67	1.000	25.40	470	930	HM 4	VF 4	MM 4	TRE 4	RM4
2.312	58.72	1.875	47.63	1.250	31.75	690	1490	HM 5	VF 5	MM 5	TRE 5	RM5
2.438	61.93	1.938	49.23	1.250	31.75	940	2260	HM 6	VF 6	MM 6	TRE 6	RM6
2.688	68.28	2.215	53.98	1.375	34.93	1150	2730	HM 7	VF 7	MM 7	TRE 7	RM7
3.094	78.59	2.438	61.93	1.500	38.10	1510	3800	HM 8	VF 8	MM 8	TRE 8	RM8
3.375	85.73	2.625	66.68	1.625	41.28	2040	4100	HM 10	VF10	MM 10	TRE 10	RM10
3.750	95.25	2.875	73.03	1.750	44.45	2910	5760	HM 12	VF 12	MM 12	TRE 12	RM12
5.500	139.70	4.125	104.78	2.125	53.98	6050	11500	HM 16	-	MM 16	TRE 16	-