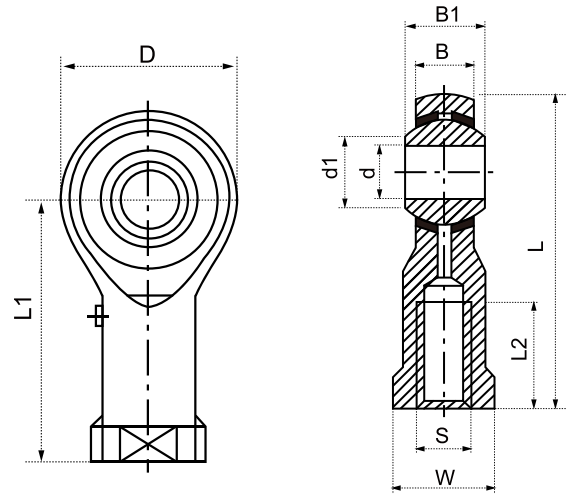




NUMBER	WEIGHT	THREAD					DIMENSIONS					
		d		S	D		B		B1		d1	
PHSB	(g)	inch	mm	CLASS 3B	inch	mm	inch	mm	inch	mm	inch	mm
PHSB 3	15	.1900	4.826	.1900-32UNF	.625	15.88	.250	6.35	.312	7.92	.306	7.77
PHSB 4	25	.2500	6.350	.2500-28UNF	.750	19.05	.281	7.14	.375	9.53	.355	9.02
PHSB 5	36	.3125	7.938	.3125-24UNF	.875	22.23	.344	8.74	.437	11.10	.447	11.35
PHSB 6	61	.3750	9.525	.3750-24UNF	1.000	25.40	.406	10.31	.500	12.70	.517	13.13
PHSB 7	81	.4375	11.112	.4375-20UNF	1.125	28.58	.437	11.10	.562	14.27	.586	14.88
PHSB 8	133	.5000	12.700	.5000-20UNF	1.312	33.32	.500	12.70	.625	15.88	.698	17.73
PHSB 10	190	.6250	15.875	.6250-18UNF	1.500	38.10	.562	14.27	.750	19.05	.839	21.31
PHSB 12	285	.7500	19.050	.7500-16UNF	1.750	44.45	.687	17.45	.875	22.23	.978	24.84
PHSB 16	1000	1.0000	25.400	1.2500-12UNF	2.750	69.85	1.000	25.40	1.375	34.925	1.269	32.23



### 動負荷 靜負荷

L		L1		L2		W		DYNAMIC LOAD CAPACITY (kgf)	STATIC LOAD CAPACITY (kgf)	HEIM	ALINABAL	AURORA	SPHERCO	ROSE
inch	mm	inch	mm	inch	mm	inch	mm			HF..(A)	VF	MW	TR	RF..(A)
1.376	34.93	1.062	26.97	.562	14.27	.312	7.92	350	950	HF 3	VF 3	MW 3	TR 3	RF 3
1.687	42.85	1.312	33.32	.750	19.05	.375	9.53	470	1380	HF 4	VF 4	MW 4	TR 4	RF 4
1.812	46.02	1.375	34.93	.750	19.05	.437	11.10	690	1720	HF 5	VF 5	MW 5	TR 5	RF 5
2.125	53.98	1.625	41.28	.937	23.80	.562	14.247	940	2260	HF 6	VF 6	MW 6	TR 6	RF 6
2.375	60.33	1.812	46.02	1.062	26.97	.625	15.88	1150	2730	HF 7	VF 7	MW 7	TR 7	RF 7
2.781	70.64	2.125	53.98	1.187	30.15	.750	19.05	1510	2800	HF 8	VF 8	MW 8	TR 8	RF 8
3.250	82.55	2.500	63.50	1.500	38.10	.875	22.23	2040	4100	HF 10	VF 10	MW 10	TR 10	RF 10
3.750	95.25	2.875	73.03	1.750	44.45	1.000	25.40	2910	5760	HF 12	VF 12	MW 12	TR 12	RF 12
5.500	139.70	4.125	104.78	2.125	53.98	1.500	38.10	6050	8850	HF 16	-	MW 16	TR 16	-