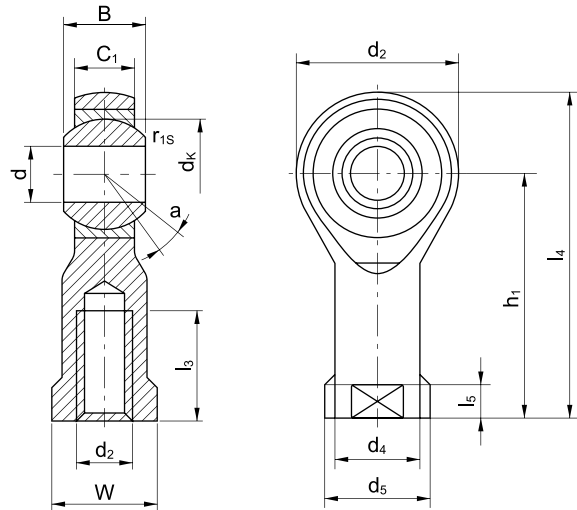


- 軸承附有帶螺紋的伸出杆，螺紋有左、右旋之分。
Bearings with a stretching rod, stretching rod with right or left-hand female thread.
- 由自潤滑向心關節軸承和杆端體組裝而成。
It is made up of a maintenance-free spherical-plain radial bearing and rod body.
- 杆端體表面鍍鋅，內球面鍍鉻。
To plate zinc on the surface of rodend, Spherical of inner with chromiun plating.



軸承型號 Bearings number	尺寸 Dimensions (mm)														負荷KN Load ratings		重量 Weight (kg)
	d	d _s	W	B	C ₁ max	h ₁	d ₂ max	l ₄ max	l ₅ max	d ₄ max	d ₅ max	d _k	l ₃ max	a° ≈	動 C	靜 C ₀	
PHS5A T/K	5	M5×0.8	10	8	6	27	18	36	4	9	12.5	11.11	8	13	3.25	5.70	0.016
PHS6A T/K	6	M6×1.0	11	9	6.75	30	20	40	5	10	13	12.7	9	13	4.30	7.20	0.022
PHS8A T/K	8	M8×1.25	14	12	9	36	24	48	5	12.5	16	15.875	12	14	7.20	11.6	0.047
PHS10A T/K	10	M10×1.5	17	14	10.5	43	28	57	6.5	15	19	19.05	15	13	10.0	14.5	0.077
PHS12A T/K	12	M12×1.75	19	16	12	50	32	66	6.5	17.5	22	22.225	18	13	13.4	17.0	0.10
PHS14A T/K	14	M14×2.0	22	19	13.5	57	36	75	8	20	25	25.4	21	16	17.0	24.0	0.16
PHS16A T/K	16	M16×2.0	22	21	15	64	40	84	8	22	27	28.575	24	15	21.6	28.5	0.22
PHS18A T/K	18	M18×1.5	27	23	16.5	71	44	94	10	25	31	31.7	27	15	26.0	42.5	0.32
PHS20A T/K	20	M20×1.5	30	25	18	77	46	102	10	27.5	35	34.925	30	14	31.5	42.5	0.42
PHS22A T/K	22	M22×1.5	32	28	20	84	50	111	12	30	37	38.10	32	15	38.0	57.0	0.54
PHS25A T/K	25	M24×2.0	36	31	22	94	60	124	12	33.5	42	42.85	36	15	47.5	68.0	0.72
PHS28A T/K	28	M27×2.0	41	35	25	103	66	136	14	37	46	47.6	41	15	55.0	75.5	0.82
PHS30A T/K	30	M30×2.0	41	37	25	110	70	145	15	40	50	50.8	45	17	64.0	88.0	1.10

若是左旋螺紋，軸承型號和螺紋標記需加“L”和“左”，例如：SAL8T/K M8左-6H
For left-hand thread, suffix is added to bearings number and thread sign, e.g. SAL8T/K M8L-6H